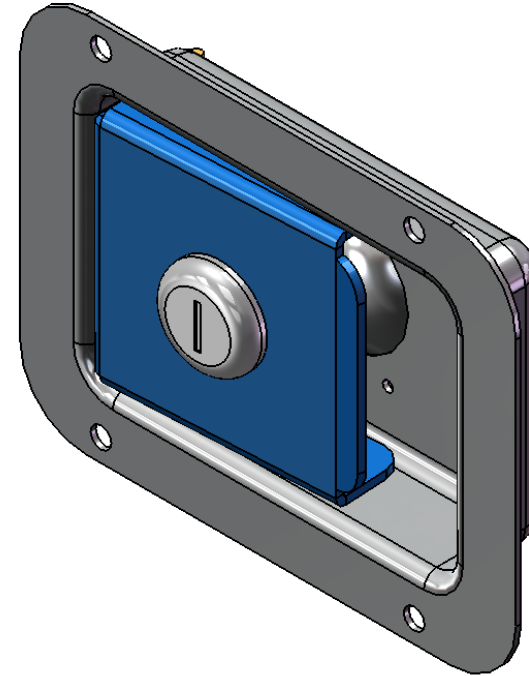
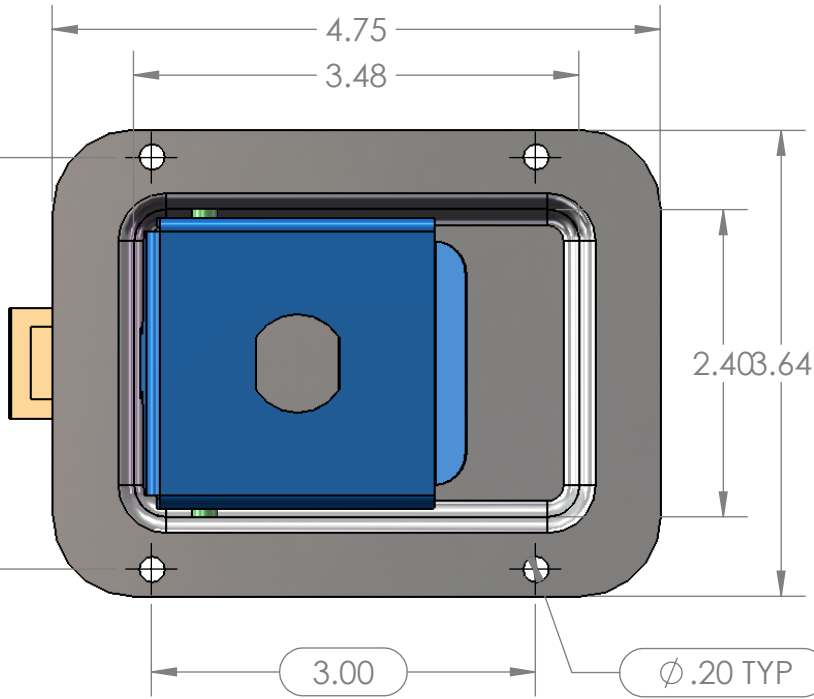
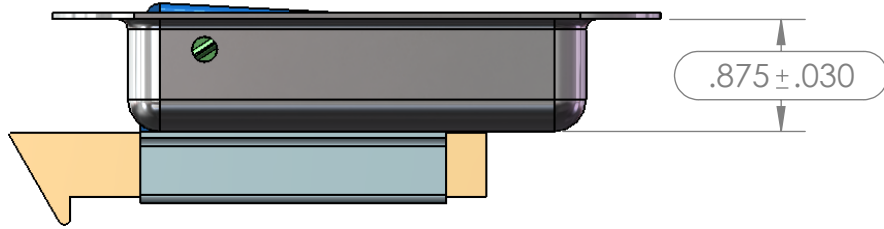


THE INFORMATION CONTAINED IN THIS DRAWING IS THE SOLE PROPERTY OF RYADON INC. ANY REPRODUCTION IN PART OR WHOLE WITHOUT THE WRITTEN PERMISSION OF RYADON INC. IS PROHIBITED.



ITEM NO.	PART OR IDENTIFYING NO.	NOMENCLATURE OR DESCRIPTION	MATERIAL SPECIFICATION	QTY REQD	
PARTS LIST					
UNLESS OTHERWISE SPECIFIED DIMENSIONS ARE IN INCHES TOLERANCES ARE:		CAD GENERATED DRAWING, DO NOT MANUALLY UPDATE	RYADON INC.		
FRACTIONS	DECIMALS				ANGLES
.XX+/- .03	+/- 1	.XXX+.015	PH-9015-L-SS-545 ASSEMBLY SIZE A DWG. NO. PH-9015-L-SS-545 REV. B SCALE CAD FILE: SHEET 1 OF 2		
MATERIAL	--	APPROVALS			DATE
FINISH	--	DRAWN			04/21/08
DO NOT SCALE DRAWING		CHECKED			MB 08/05/13
		RESP ENG			KAS 08/05/13
		MFG ENG			
		QUAL ENG	AH 08/05/13		

CHANGED OVER ALL DEPTH TO PAN(.875)

INITIAL RELEASE

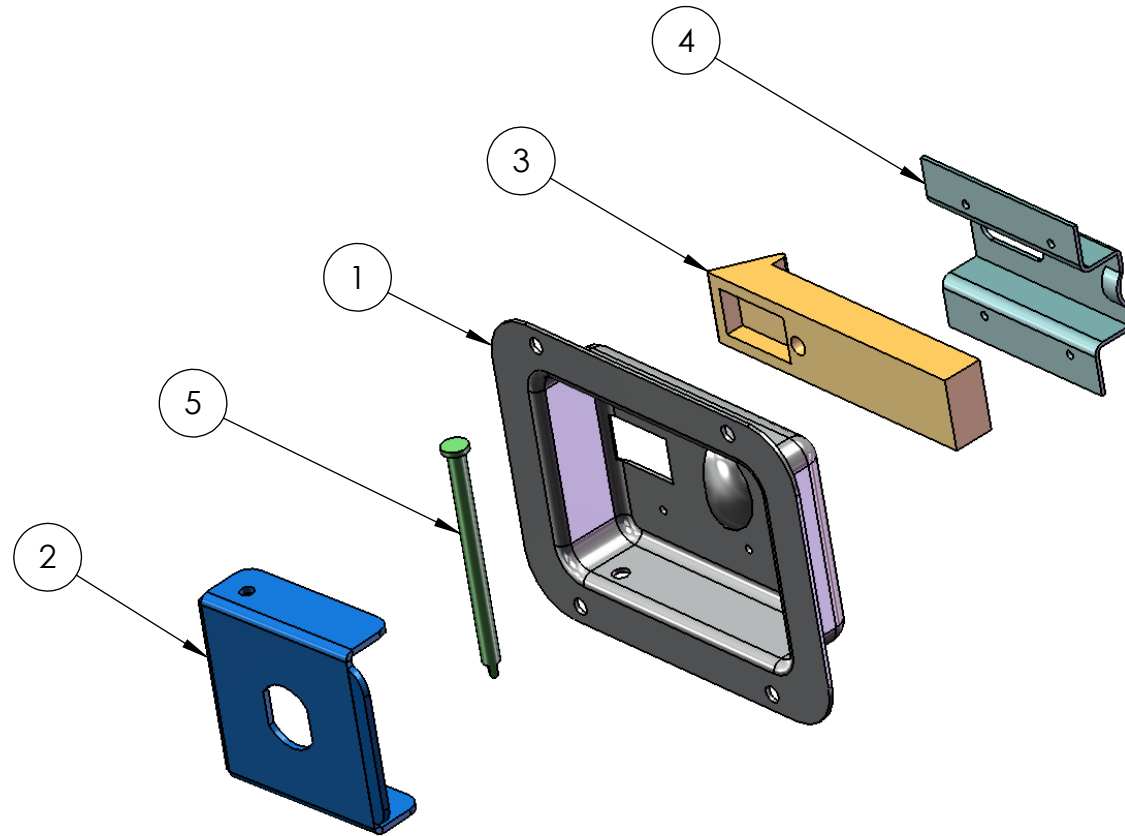
08/05/13

REV DESCRIPTION DATE

8 7 6 5 4 3 2 1

THE INFORMATION CONTAINED IN THIS DRAWING IS THE SOLE PROPERTY OF RYADON INC.
 ANY REPRODUCTION IN PART OR WHOLE WITHOUT THE WRITTEN PERMISSION OF
 RYADON INC. IS PROHIBITED.

ITEM NO.	PART NUMBER	QTY
1	PH-9015-L-SS-545 PAN	1
2	PH-9015-L-SS-545 HANDLE	1
3	PH-9015-L-SS-545 STRIKER	1
4	PH-9015-L-SS-545 STRIKER BRACE	1
5	PH-9015-L-SS-545 HANDLE PIN	1



ITEM NO.	PART OR IDENTIFYING NO.	NOMENCLATURE OR DESCRIPTION	MATERIAL SPECIFICATION	QTY REQD
PARTS LIST				
UNLESS OTHERWISE SPECIFIED DIMENSIONS ARE IN INCHES TOLERANCES ARE:		CAD GENERATED DRAWING, DO NOT MANUALLY UPDATE	RYADON INC.	
FRACTIONS	DECIMALS			
.XX+/- .03	+/- 1	.XXX+.015	PH-9015-L-SS-545 BOM	
MATERIAL		---		
FINISH		---		
DO NOT SCALE DRAWING		---		
APPROVALS		DATE	PH-9015-L-SS-545 BOM	
DRAWN		04/21/08		
CHECKED				
RESP ENG				
MFG ENG			SIZE A DWG. NO. PH-9015-L-SS-545 REV. B	
QUAL ENG				
SCALE		CAD FILE:	SHEET 2 OF 2	

REV	DESCRIPTION	DATE