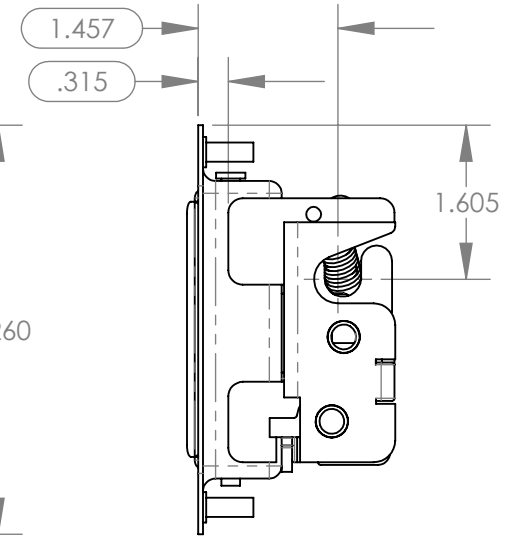
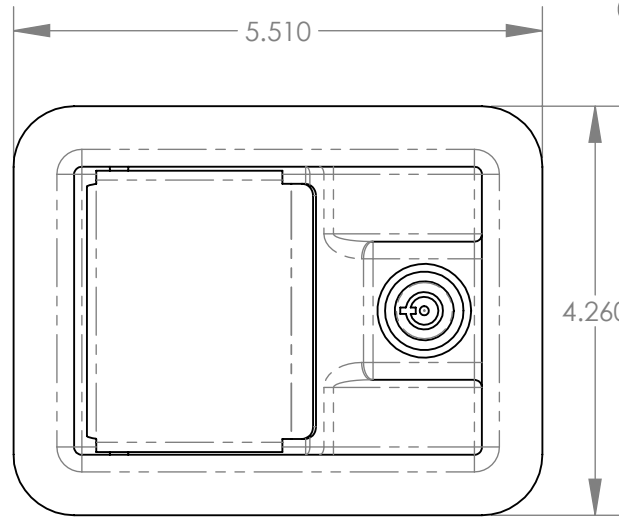
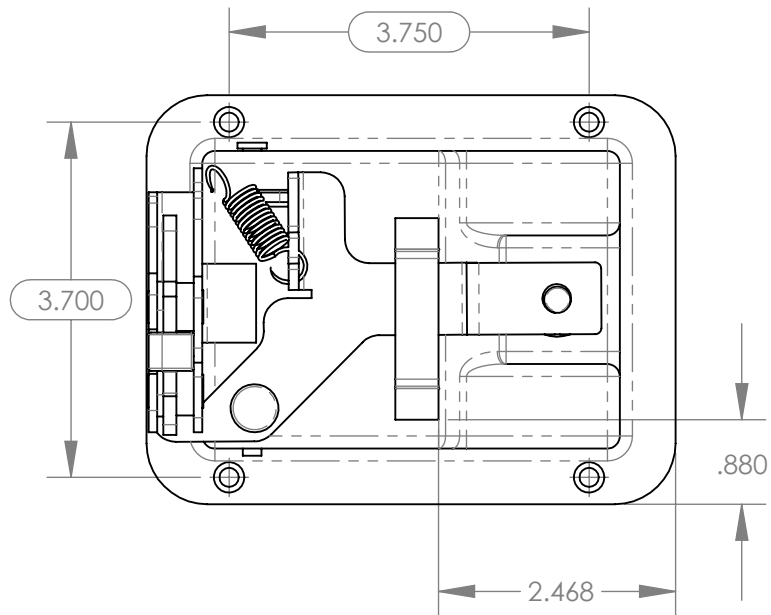
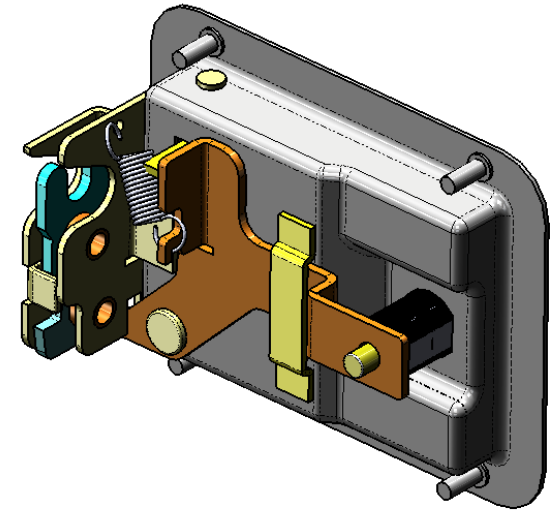
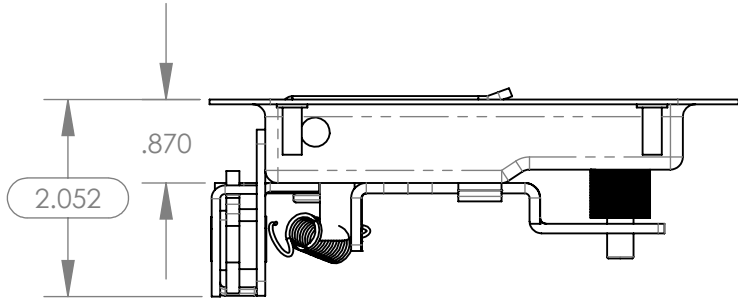


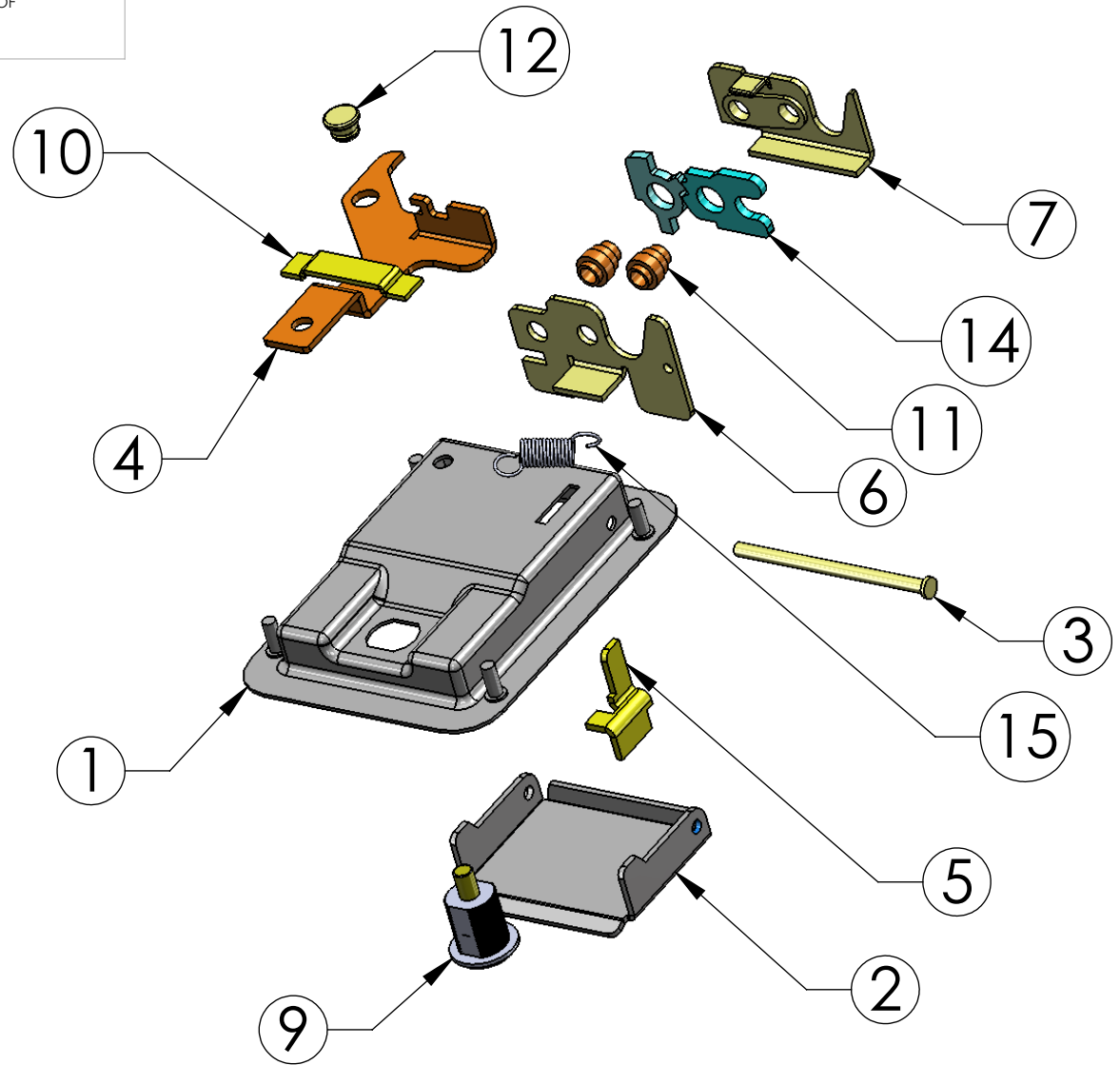
THE INFORMATION CONTAINED IN THIS DRAWING IS THE SOLE PROPERTY OF RYADON, INC. ANY REPRODUCTION IN PART OR WHOLE WITHOUT THE WRITTEN PERMISSION OF RYADON, INC. IS PROHIBITED.



ITEM NO.	PART OR IDENTIFYING NO.	NOMENCLATURE OR DESCRIPTION	MATERIAL SPECIFICATION	QTY REQD
PARTS LIST				
UNLESS OTHERWISE SPECIFIED DIMENSIONS ARE IN INCHES TOLERANCES ARE: FRACTIONS .XX+ .XX + 1 DECIMALS .XXX+.XXX ANGLES + 1		CAD GENERATED DRAWING, DO NOT MANUALLY UPDATE	RYADON, INC.	
MATERIAL --		APPROVALS DRAWN GT CHECKED ENG KAS QUAL ENG AH	DATE 8-19-01 7-30-13 7-30-13 7-30-13	
FINISH --		ROTARY POCKET		REV. A
DO NOT SCALE DRAWING		SIZE A	DWG. NO. PH-7900-SS-WS	SHEET 1 OF 2
		SCALE	CAD FILE:	

REV.	DESCRIPTION	DATE

THE INFORMATION CONTAINED IN THIS DRAWING IS THE SOLE PROPERTY OF RYADON, INC. ANY REPRODUCTION IN PART OR WHOLE WITHOUT THE WRITTEN PERMISSION OF RYADON, INC. IS PROHIBITED.



ITEM NO.	PART NUMBER	QTY.
1	POCKET with studs	1
2	HandleRotary	1
3	HANDLEPIN	1
4	CAM NEW CONCEPT 8-8-11	1
5	triparm	1
6	rotarybrkt1	1
7	rotarybrkt2	1
8	LOCK CYLINDER 2 CORE NEW CONCEPT	1
9	LOCK CYLINDER 2	1
10	cam brace	1
11	rivetrotary	2
12	rivet	1
13	link2	1
14	link1	1
15	Extention cam lock spring	1

ITEM NO.	PART OR IDENTIFYING NO.	NOMENCLATURE OR DESCRIPTION	MATERIAL SPECIFICATION	QTY REQD
PARTS LIST				
UNLESS OTHERWISE SPECIFIED DIMENSIONS ARE IN INCHES TOLERANCES ARE: FRACTIONS DECIMALS ANGLES + .XX+ .XX + 1 .XXX+.XXX		CAD GENERATED DRAWING, DO NOT MANUALLY UPDATE	RYADON, INC.	
MATERIAL --		APPROVALS	DATE	ROTARY POCKET
FINISH --		DRAWN	8-19-01	
NEXT ASSY USED ON		CHECKED		
APPLICATION		RESP ENG		
DO NOT SCALE DRAWING		MFG ENG		SIZE A
		QUAL ENG		DWG. NO. PH-7900SS-WS
				REV. A
				SCALE CAD FILE: SHEET 2 OF 2