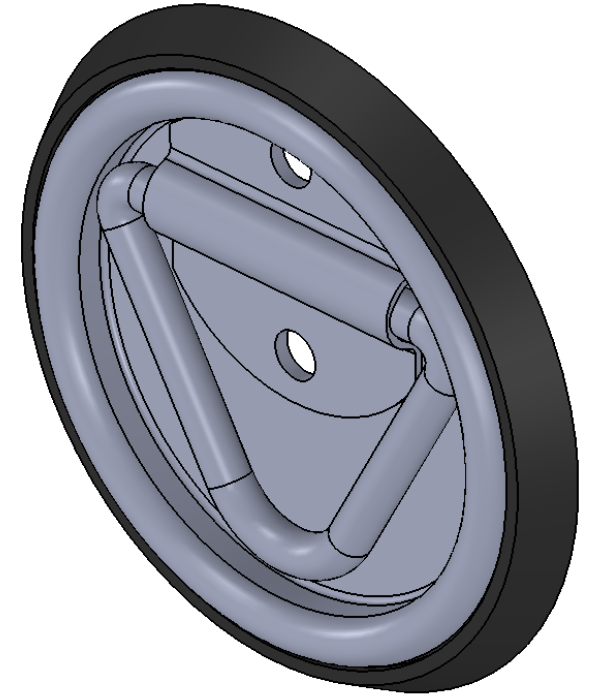
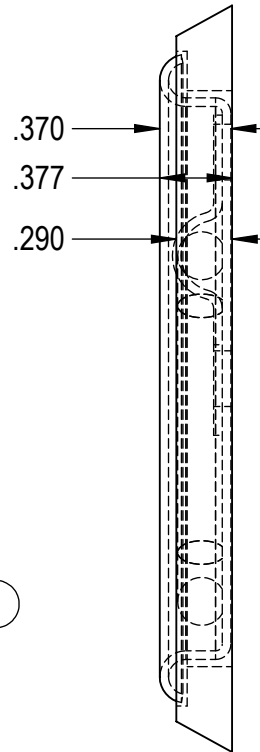
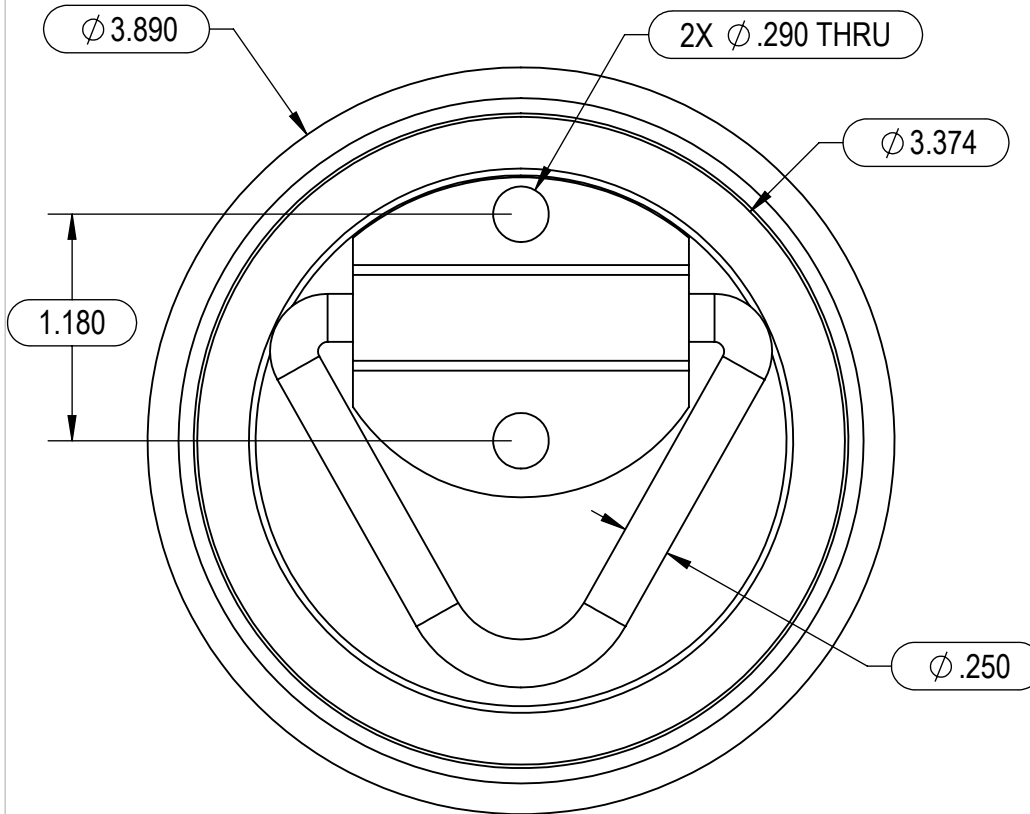


THE INFORMATION CONTAINED IN THIS DRAWING IS THE SOLE PROPERTY OF RYADON INC. ANY REPRODUCTION IN PART OR AS A WHOLE WITHOUT THE WRITTEN PERMISSION OF RYADON INC. IS PROHIBITED.

NOTES:

- 1.) DO NOT SCALE DRAWING.
- 2.) REMOVE ALL BURRS, NO SHARP EDGES.
- 3.) MUST NOT HAVE SCRATCHES, DINGS, OR DENTS.
- 4.) PART TO BE FREE FROM SURFACE IMPERFECTIONS OTHER THAN SURFACE FINISH REQUIREMENTS.
- 5.) CRITICAL DIMENSIONS ARE INDICATED BY:
- 6.) ALL ITEMS ARE TO BE INSPECTED TO 2.5 AQL SAMPLING PLAN UNLESS OTHERWISE STATED.
- 7.) ENSURE PACKAGING WILL PROVIDE ADEQUATE PROTECTION DURING TRANSPORT.



	NAME	DATE
DRAWN	KAS	02/13/14
CHECKED		
ENG.		
Q.A.		

RYADON INC.
QUALITY - INTEGRITY - VALUE

DESCRIPTION:
TIE DOWN SET, 1200 LBS
INCLUDED WITH BLACK GASKET

MATERIAL: STEEL FINISH: ZINC PLATED

SIZE PART NO. REV
A I-TD-39ZN-SET A

UNLESS OTHERWISE SPECIFIED:
DIMENSIONS ARE IN INCHES
TOLERANCES:
FRACTIONAL ± 1/32"
ANGULAR: MACH ± 1° BEND ± 1°
TWO PLACE DECIMAL ± .03
THREE PLACE DECIMAL ± .015
INTERPRET GEOMETRIC TOLERANCING PER:

COMMENTS:

THIRD ANGLE PROJECTION

SCALE: 1:1 DO NOT SCALE DRAWING SHEET 1 OF 1

REVISIONS			
REV.	DESCRIPTION	DATE	APPROVED
A	INITIAL RELEASE	2/13/2014	KAS