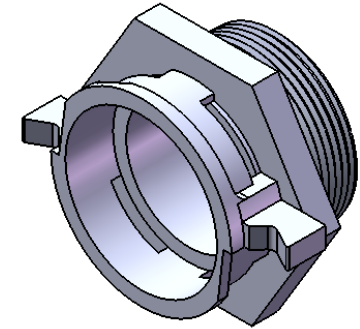
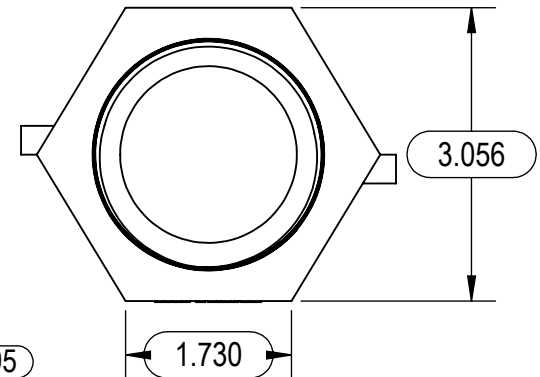


2-11.5 NPT-L1  $\nabla$  .895



**NOTES:**

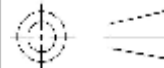
- 1.) DO NOT SCALE DRAWING.
- 2.) REMOVE ALL BURRS, NO SHARP EDGES.
- 3.) MUST NOT HAVE SCRATCHES, DINGS, OR DENTS.
- 4.) PART TO BE FREE FROM SURFACE IMPERFECTIONS OTHER THAN SURFACE FINISH REQUIREMENTS.
- 5.) CRITICAL DIMENSIONS ARE INDICATED BY:
- 6.) ALL ITEMS ARE TO BE INSPECTED TO 2.5 AQL SAMPLING PLAN UNLESS OTHERWISE STATED.
- 7.) ENSURE PACKAGING WILL PROVIDE ADEQUATE PROTECTION DURING TRANSPORT.

DEPT.	NAME	DATE
DRAWN	KAS	04/16/14
SALES	MB	04/22/14
ENG.	KAS	04/22/14
Q.A.	ES	04/22/14

UNLESS OTHERWISE SPECIFIED:

DIMENSIONS ARE IN INCHES  
 TOLERANCES:  
 FRACTIONAL  $\pm 1/32"$   
 ANGULAR: MACH  $\pm 1^\circ$  BEND  $\pm 1^\circ$   
 TWO PLACE DECIMAL  $\pm .03$   
 THREE PLACE DECIMAL  $\pm .015$

INTERPRET GEOMETRIC TOLERANCING PER:



DESCRIPTION:

FUEL TANK  
 PRE-VENT ADAPTER

MATERIAL:  
 CAST IRON

FINISH:  
 BLACK

COMMENTS:

**RYADON INC.**  
 QUALITY - INTEGRITY - VALUE



SIZE PART NO.

**A I-ADAPTER**

REV  
**B**

SCALE: 1:2

DO NOT SCALE DRAWING

SHEET 1 OF 1

REVISIONS

REV.	DESCRIPTION	DATE
A	INITIAL RELEASE	04/16/14
B	CHANGED PER QA REQUEST	5/20/2014

THE INFORMATION CONTAINED IN THIS DRAWING IS THE SOLE PROPERTY OF RYADON INC. ANY REPRODUCTION IN PART OR AS A WHOLE WITHOUT THE WRITTEN PERMISSION OF RYADON INC. IS PROHIBITED.