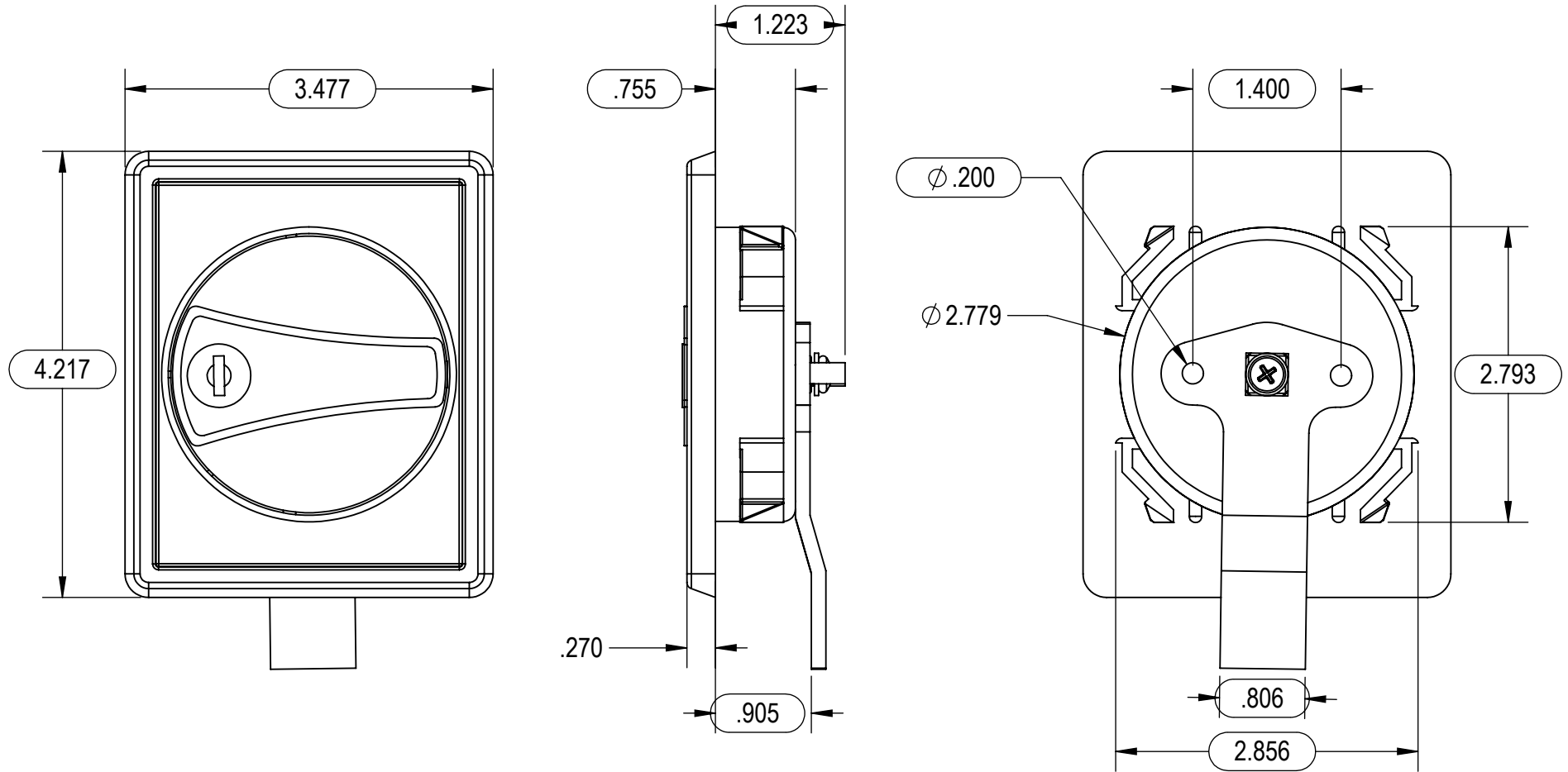


THE INFORMATION CONTAINED IN THIS DRAWING IS THE SOLE PROPERTY OF RYADON INC. ANY REPRODUCTION IN PART OR AS A WHOLE WITHOUT THE WRITTEN PERMISSION OF RYADON INC. IS PROHIBITED.

**NOTES:**

1. REMOVE ALL BURRS.



	NAME	DATE
DRAWN	KAS	11/12/13
CHECKED	MB	01/17/14
ENG.	KAS	01/17/14
Q.A.	AH	01/17/14

**RYADON INC.**  
QUALITY - INTEGRITY - VALUE

DESCRIPTION:  
LATCH, FLUSH, OFFSET CAM,  
BLACK PLASTIC, RECTANGULAR

MATERIAL: **PLASTIC** FINISH: **BLACK**

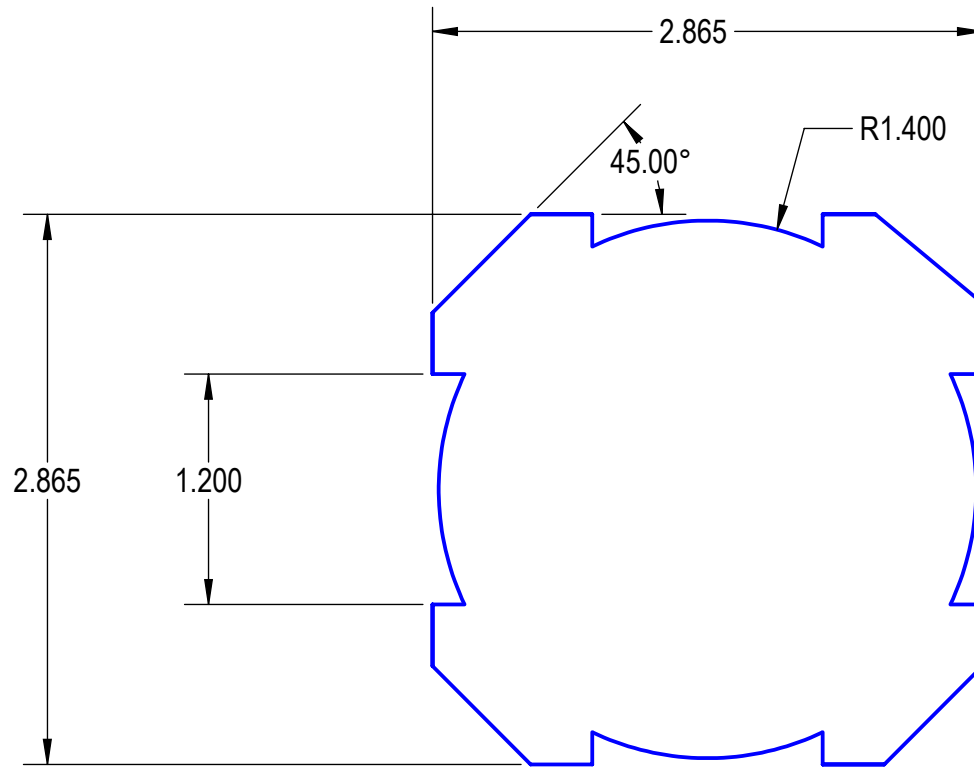
SIZE PART NO. REV  
**A H-RFL A**

SCALE: 1:1 DO NOT SCALE DRAWING SHEET 1 OF 2

UNLESS OTHERWISE SPECIFIED:  
DIMENSIONS ARE IN INCHES  
TOLERANCES:  
FRACTIONAL  $\pm 1/32"$   
ANGULAR: MACH  $\pm 1^\circ$  BEND  $\pm 1^\circ$   
TWO PLACE DECIMAL  $\pm .03$   
THREE PLACE DECIMAL  $\pm .015$   
INTERPRET GEOMETRIC  
TOLERANCING PER:

COMMENTS:  
THIRD ANGLE PROJECTION

REVISIONS			
REV.	DESCRIPTION	DATE	APPROVED
A	INITIAL RELEASE	11/12/2013	KAS



RECOMENDED CUT OUT (14 TO 16 GAUGE)

**RYADON INC.**  
QUALITY - INTEGRITY - VALUE

SIZE	PART NO.	REV
A	H-RFL-KD	A
SCALE: 1:1	DO NOT SCALE DRAWING	SHEET 2 OF 2