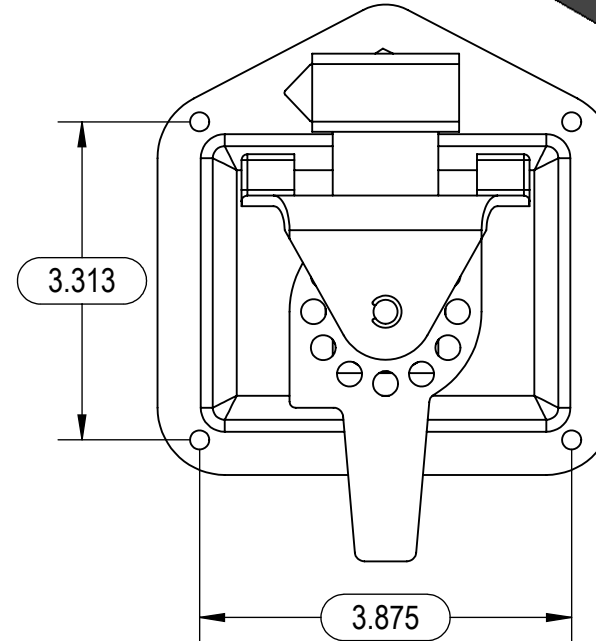
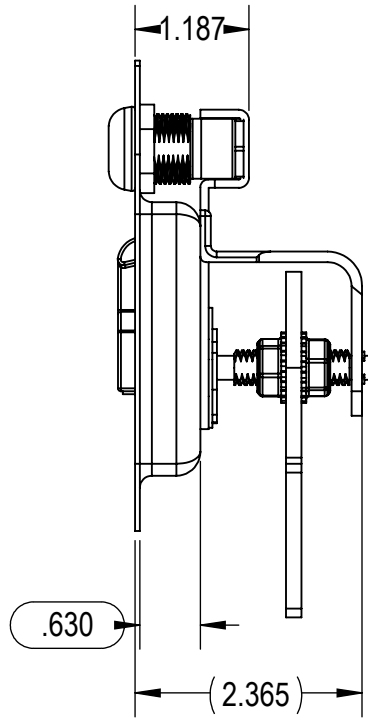
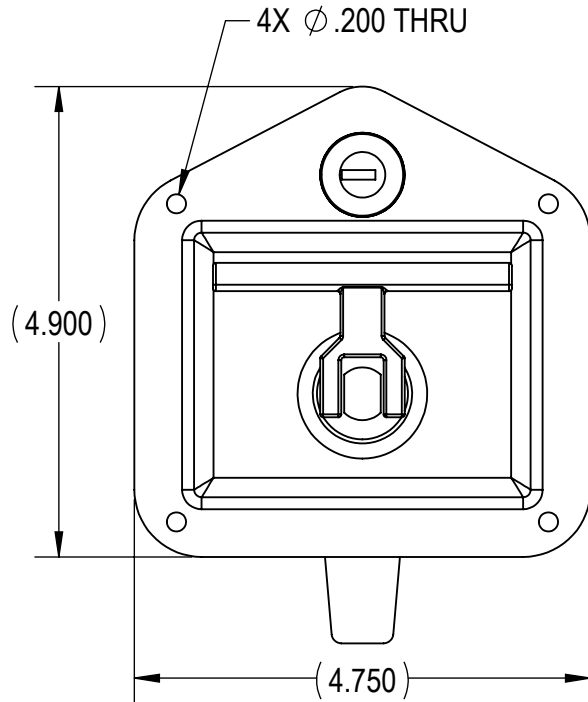
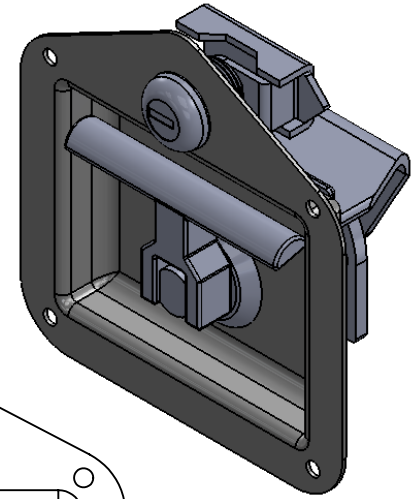


THE INFORMATION CONTAINED IN THIS DRAWING IS THE SOLE PROPERTY OF RYADON INC. ANY REPRODUCTION IN PART OR AS A WHOLE WITHOUT THE WRITTEN PERMISSION OF RYADON INC. IS PROHIBITED.

NOTES:

- 1.) DO NOT SCALE DRAWING.
- 2.) REMOVE ALL BURRS, NO SHARP EDGES.
- 3.) MUST NOT HAVE SCRATCHES, DINGS, OR DENTS.
- 4.) PART TO BE FREE FROM SURFACE IMPERFECTIONS OTHER THAN SURFACE FINISH REQUIREMENTS.
- 5.) CRITICAL DIMENSIONS ARE INDICATED BY:
- 6.) ALL ITEMS ARE TO BE INSPECTED TO 2.5 AQL SAMPLING PLAN UNLESS OTHER WISE STATED.



	NAME	DATE
DRAWN	KAS	12/13/12
CHECKED	MB	1/17/14
ENG.	KAS	1/17/14
Q.A.	AH	1/17/14

RYADON INC.
QUALITY - INTEGRITY - VALUE

DESCRIPTION: **FOLDING T HANDLE, #2600 SERIES**

MATERIAL: **304 STAINLESS STEEL** FINISH: **POLISHED**

SIZE PART NO. **A FT2600SS-50CH A** REV

SCALE: 1:2 DO NOT SCALE DRAWING SHEET 1 OF 1

UNLESS OTHERWISE SPECIFIED:
DIMENSIONS ARE IN INCHES
TOLERANCES:
FRACTIONAL ± 1/32"
ANGULAR: MACH ± 1° BEND ± 1°
TWO PLACE DECIMAL ± .03
THREE PLACE DECIMAL ± .015
INTERPRET GEOMETRIC TOLERANCING PER:

COMMENTS:

THIRD ANGLE PROJECTION

REVISIONS			
REV.	DESCRIPTION	DATE	APPROVED
A	INITIAL RELEASE	12/13/2013	KAS