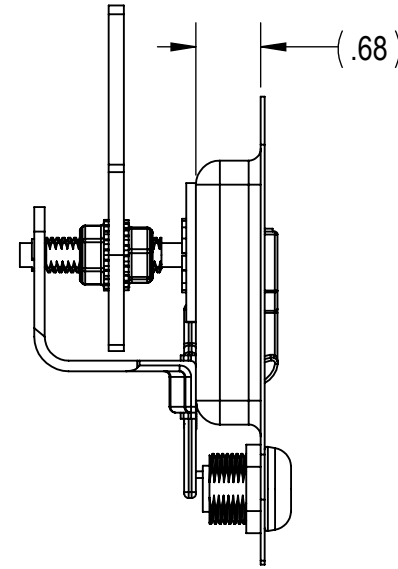
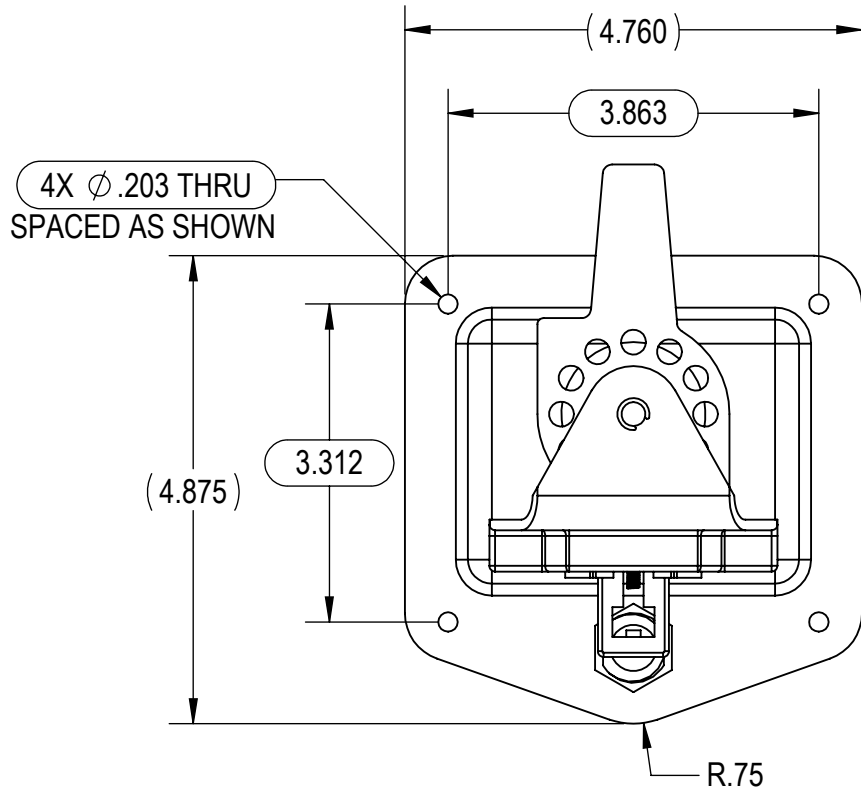
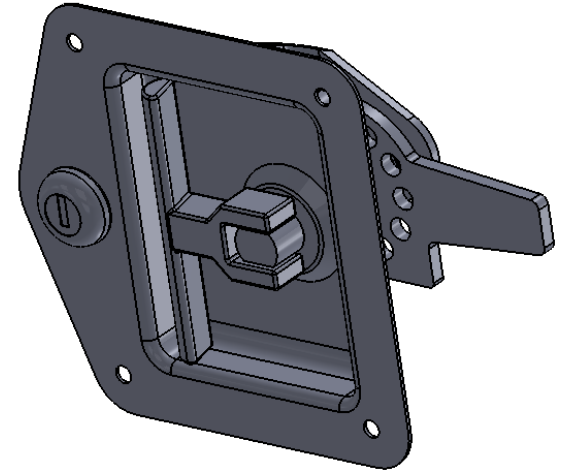


THE INFORMATION CONTAINED IN THIS DRAWING IS THE SOLE PROPERTY OF RYADON INC. ANY REPRODUCTION IN PART OR AS A WHOLE WITHOUT THE WRITTEN PERMISSION OF RYADON INC. IS PROHIBITED.

NOTES:

1. REMOVE ALL BURRS.



	NAME	DATE
DRAWN	KAS	10/30/13
CHECKED	MB	10/30/13
ENG.	KAS	10/30/13
Q.A.	AH	10/30/13

RYADON INC.
QUALITY - INTEGRITY - VALUE

DESCRIPTION:
FOLDING T HANDLES
#2500 REVISED SERIES

MATERIAL: STAINLESS STEEL FINISH: POLISHED

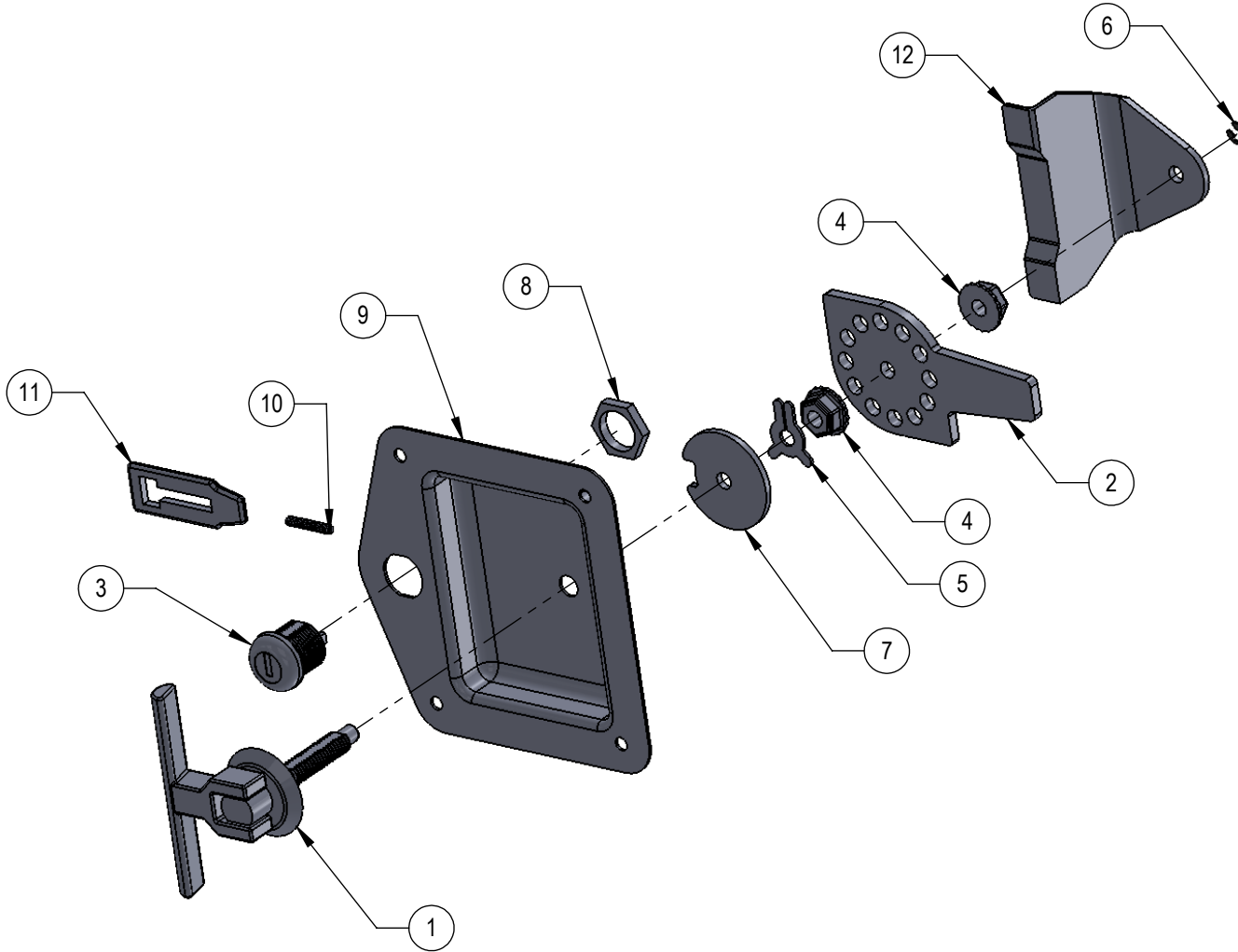
SIZE PART NO. REV
A FT2500SS **A**

SCALE: 1:2 DO NOT SCALE DRAWING SHEET 1 OF 2

UNLESS OTHERWISE SPECIFIED:
DIMENSIONS ARE IN INCHES
TOLERANCES:
FRACTIONAL ± 1/32"
ANGULAR: MACH ± 1° BEND ± 1°
TWO PLACE DECIMAL ± .03
THREE PLACE DECIMAL ± .015
INTERPRET GEOMETRIC TOLERANCING PER:

COMMENTS:
THIRD ANGLE PROJECTION

REVISIONS			
REV.	DESCRIPTION	DATE	APPROVED
A	INITIAL RELEASE/ UPDATED PRINT	10/30/2013	KAS



ITEM NO.	PART NUMBER	QTY.
1	FT2500SS-HANDLE	1
2	FT2500SS-CAM	1
3	FT2500SS-LOCK	1
4	FT2500SS-NUT	2
5	FT2500SS-PINCH CLIP	1
6	FT2500SS-RETAINING RING	1
7	FT2500SS-WASHER	1
8	FT2500SS-KEY NUT	1
9	FT2500SS-PAN	1
10	FT2500SS-SPRING	1
11	FT2500SS-SLIDE BAR	1
12	FT2500SS-CAM BRACKET	1

RYADON INC.
QUALITY - INTEGRITY - VALUE

SIZE	PART NO.	REV
A	FT2500SS	A
SCALE: 1:3	DO NOT SCALE DRAWING	SHEET 2 OF 2