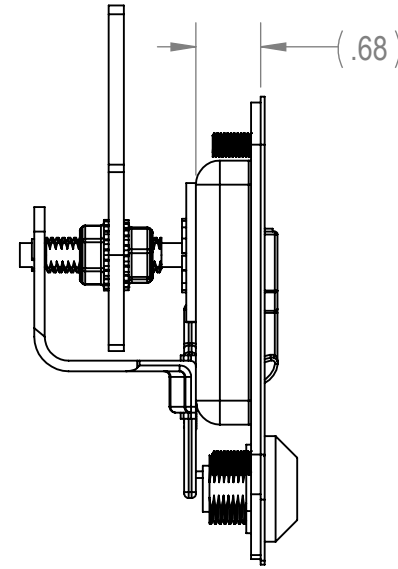
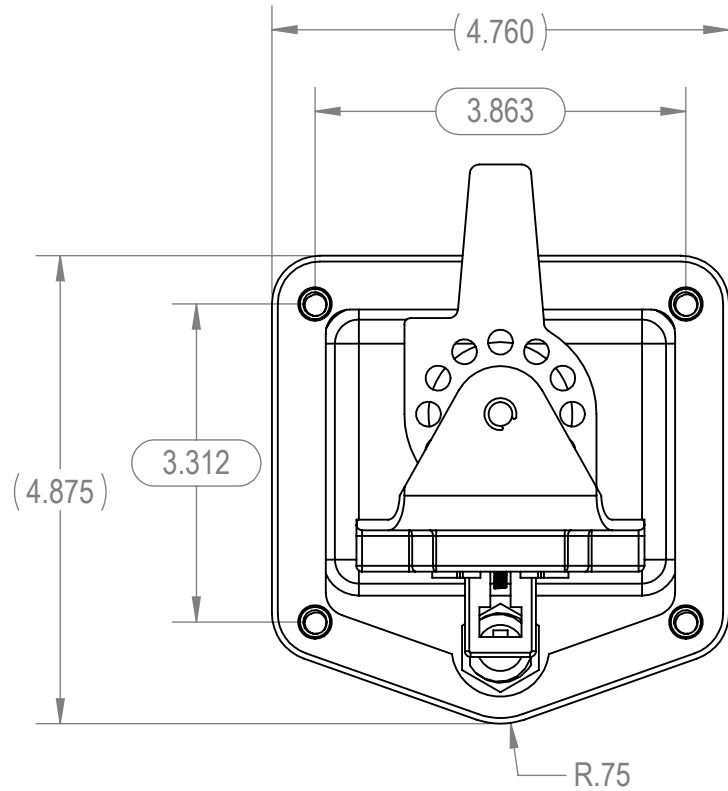
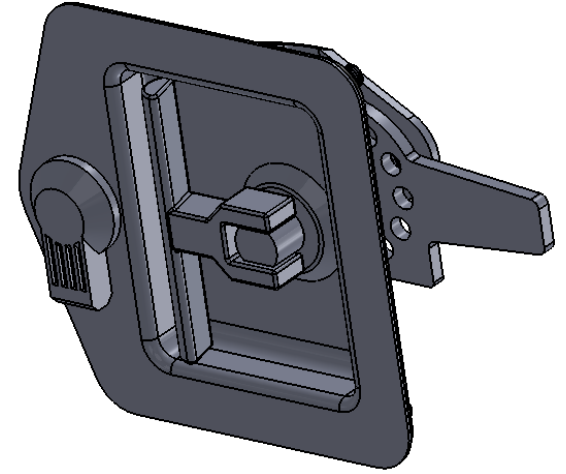


THE INFORMATION CONTAINED IN THIS DRAWING IS THE SOLE PROPERTY OF RYADON INC. ANY REPRODUCTION IN PART OR AS A WHOLE WITHOUT THE WRITTEN PERMISSION OF RYADON INC. IS PROHIBITED.

NOTES:  
1. REMOVE ALL BURRS.



	NAME	DATE
DRAWN	KAS	11/01/13
CHECKED	MB	11/01/13
ENG.	KAS	11/01/13
Q.A.	AH	11/01/13

**RYADON INC.**  
QUALITY - INTEGRITY - VALUE

DESCRIPTION:  
FOLDING T HANDLES W/ DUST COVER AND  
OFFSET BENTCAM #2500 REVISED SERIES

MATERIAL: N/A FINISH: N/A

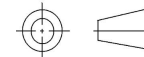
SIZE PART NO. REV  
**A FT2500SS-SDCJG A**

SCALE: 1:2 DO NOT SCALE DRAWING SHEET 1 OF 2

UNLESS OTHERWISE SPECIFIED:  
DIMENSIONS ARE IN INCHES  
TOLERANCES:  
FRACTIONAL  $\pm 1/32"$   
ANGULAR: MACH  $\pm 1^\circ$  BEND  $\pm 1^\circ$   
TWO PLACE DECIMAL  $\pm .03$   
THREE PLACE DECIMAL  $\pm .015$   
INTERPRET GEOMETRIC  
TOLERANCING PER:

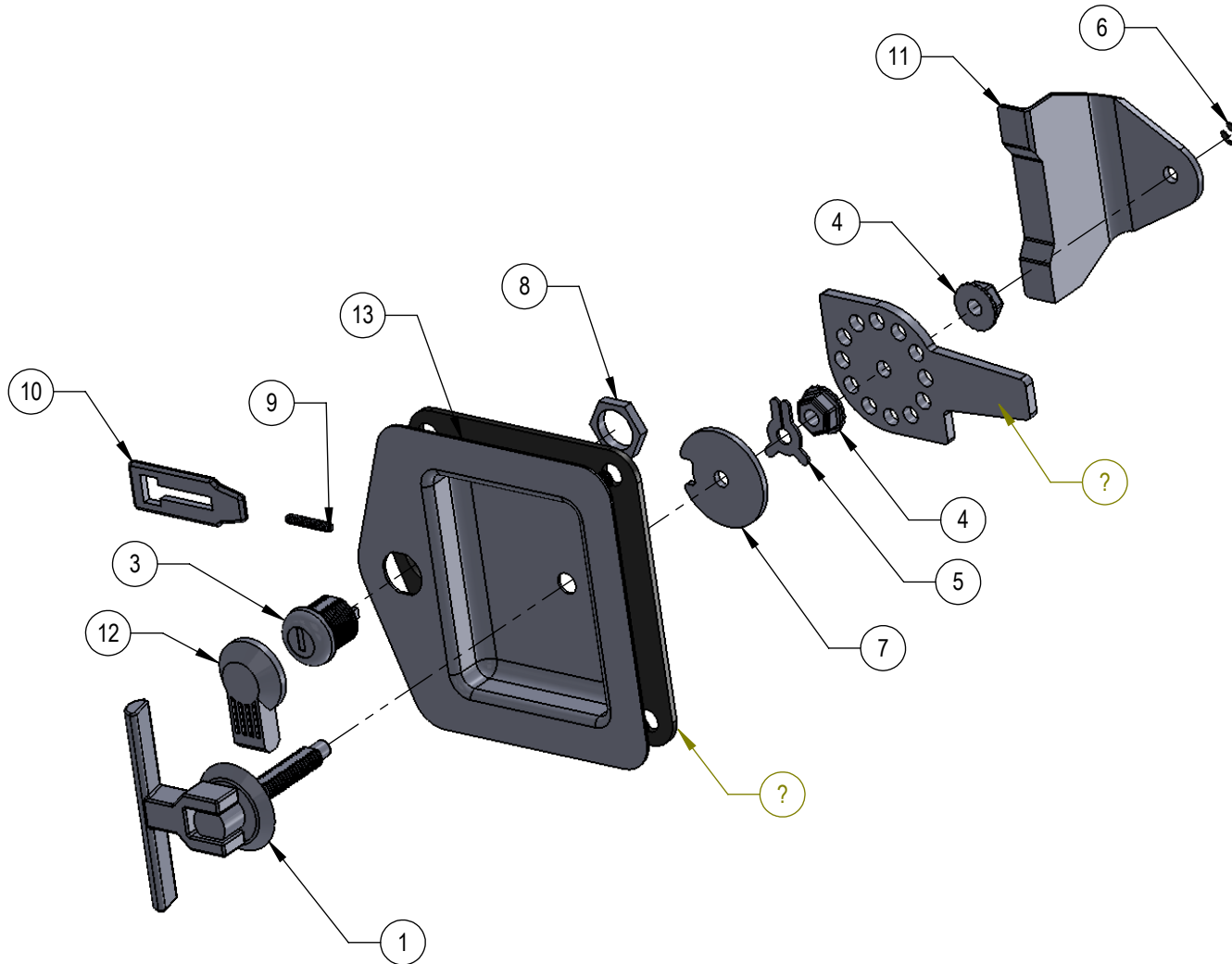
COMMENTS:

THIRD ANGLE PROJECTION



REVISIONS

REV.	DESCRIPTION	DATE	APPROVED
A	INITIAL RELEASE/ UPDATED PRINT	11/01/2013	KAS



ITEM NO.	PART NUMBER	QTY.
1	FT2500SS-HANDLE	1
2	FT2500SS-CAM	1
3	FT2500SS-LOCK	1
4	FT2500SS-NUT	2
5	FT2500SS-PINCH CLIP	1
6	FT2500SS-RETAINING RING	1
7	FT2500SS-WASHER	1
8	FT2500SS-KEY NUT	1
9	FT2500SS-SPRING	1
10	FT2500SS-SLIDE BAR	1
11	FT2500SS-CAM BRACKET	1
12	FT2500SS-4DC-DUST COVER	1
13	FT2500SS-PAN	1
14	FT2500SS-SDC-STUD	4
15	FT2500SS-SDC-J-GASKET	1

**RYADON INC.**  
QUALITY - INTEGRITY - VALUE

SIZE	PART NO.	REV
A	FT2500SS-SDCJG	A