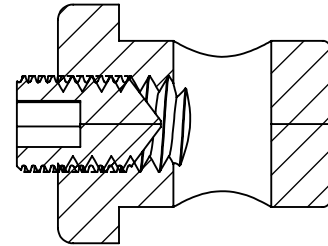
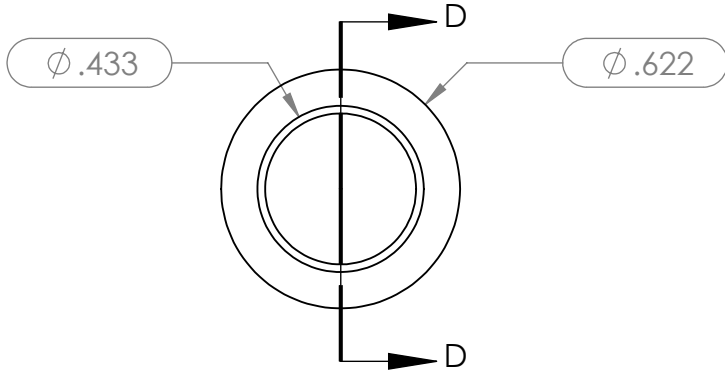
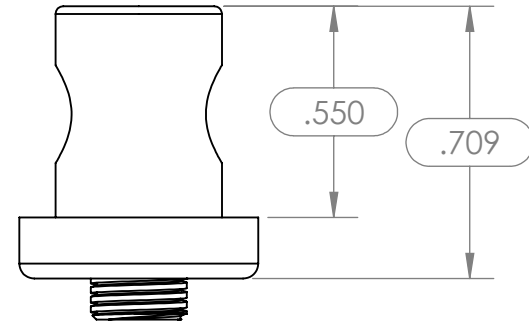
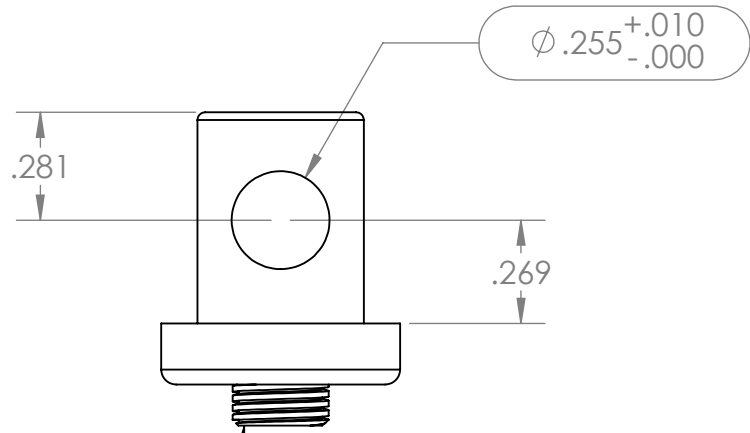
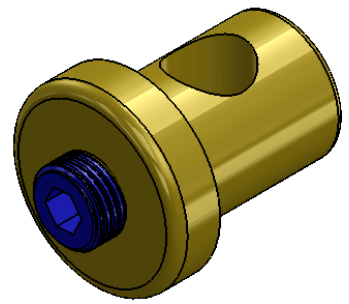


THE INFORMATION CONTAINED IN THIS DRAWING IS THE SOLE PROPERTY OF RYADON INC. ANY REPRODUCTION IN PART OR WHOLE WITHOUT THE WRITTEN PERMISSION OF RYADON INC. IS PROHIBITED.



SECTION D-D



1/4-20 UNC-2A x .375"
SET SCREW
CONE POINT, BLACK ZINC
W/ LOCKTITE PATCH
APPLIED TO THREADS

ITEM NO.	PART OR IDENTIFYING NO.	NOMENCLATURE OR DESCRIPTION	MATERIAL SPECIFICATION	QTY REQD
PARTS LIST				
UNLESS OTHERWISE SPECIFIED DIMENSIONS ARE IN INCHES TOLERANCES ARE: FRACTIONS DECIMALS ANGLES .XX+/- .03 +/- 1 .XXX±.015		CAD GENERATED DRAWING, DO NOT MANUALLY UPDATE	RYADON INC.	
MATERIAL STEEL		APPROVALS	DATE	
FINISH ZINC PLATED/ GOLD IRIDITE		DRAWN EM	08/07/07	
DO NOT SCALE DRAWING		CHECKED MB	10/2/13	
		RESP ENG		
		MFG ENG KAS	10/2/13	
		QUAL ENG AH	10/2/13	
SIZE A	DWG. NO.	CL-1152-DC		REV. A
SCALE	CAD FILE:		SHEET 1 OF 1	

REV	DESCRIPTION	DATE
A	Diameter of the center hole change from .250" to .255"	